

MICRO SWITCH

A DIVISION OF MINNEAPOLIS-HONEYWELL REGULATOR COMPANY
 FARMINGTON, CONNECTICUT
 FED. MFR. CODE 91929

SWITCH-BASIC

(M)MT-4RL-A28
 ISSUE 4

MT-4RL-A28

M

DRAWING NUMBER

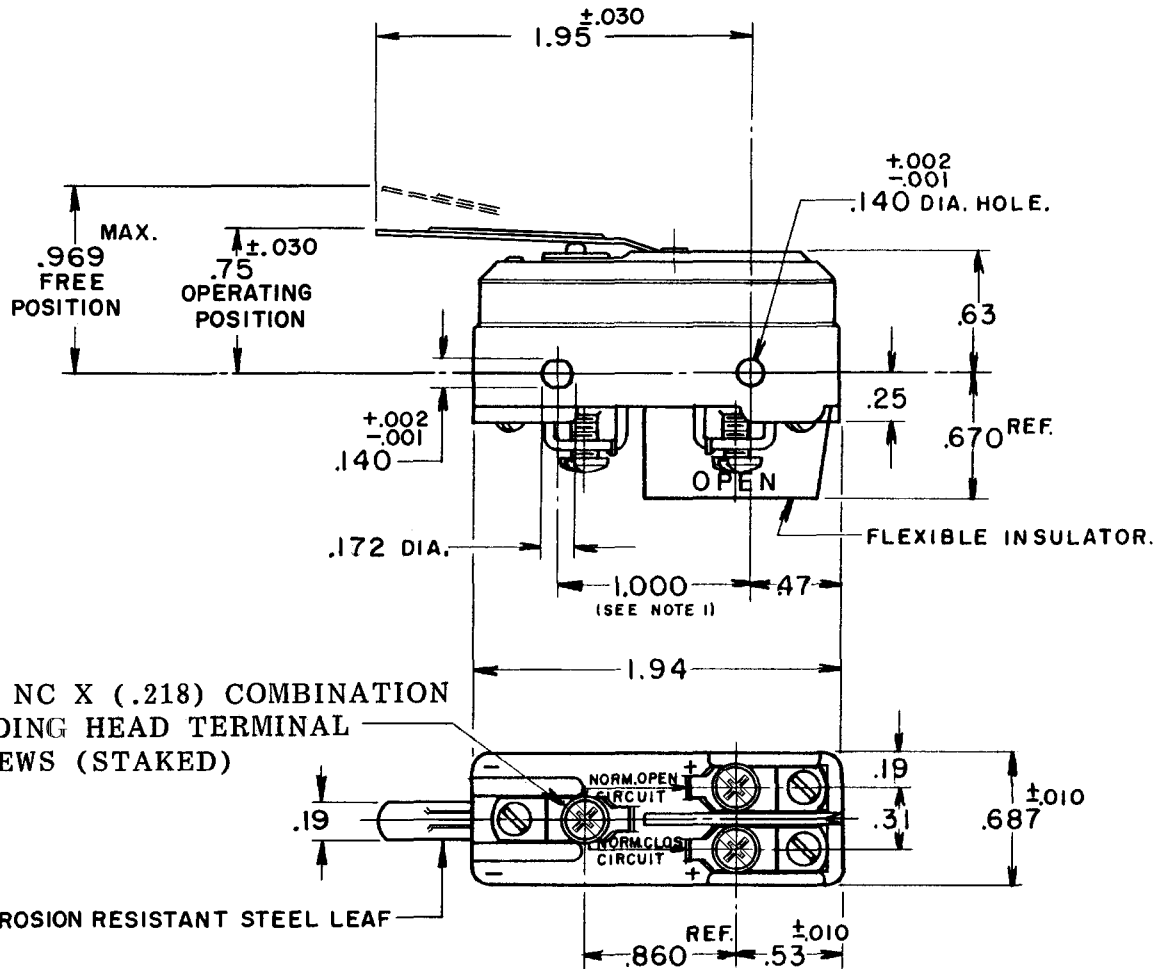
11

ISSUE

REVISIONS

A	C082254
	JAK
	16 JAN 96

RELEASE NO. REPLACES (M)MT-4RL-A28 ISSUE 4
 CHECK 57 AUG. 57 J.W.H. 7 AUG. 57 G.C.H. 7 AUG. 57
 CHECK 57 AUG. 57 O.M.W. 6 AUG. 57



6-32 NC X (.218) COMBINATION BINDING HEAD TERMINAL SCREWS (STAKED)

NOTE

- 1- MOUNTING HOLES WILL ACCEPT PINS OR SCREWS OF .139 MAX. DIA. ON 1.000 ±.002 CENTERS.
- 2- FOR BEST RESULTS EITHER POLARIZE THE SWITCH WITH THE COMMON TERMINAL WIRED IN NEGATIVE POLARITY OR MOUNT THE SWITCH WITH BRASS SCREWS AND SPACE AT LEAST .250 AWAY FROM MAGNETIC MATERIALS.

THIS DRAWING COVERS A PROPRIETARY ITEM AND IS THE PROPERTY OF MICRO SWITCH, A DIVISION OF HONEYWELL. THIS DRAWING IS NOT TO BE COPIED OR USED WITHOUT THE APPROVAL OF MICRO SWITCH.

CHARACTERISTICS

OPERATING FORCE-----12 OZ. MAX.

RELEASE FORCE-----1 OZ. MIN.

DO NOT OVERTRAVEL MORE THAN .060

ELECTRICAL DATA

CONTACT ARRANGEMENT
S. P. D. T.

NON-POLARIZED	VOLTS D-C 125 250	MOTOR 1/4 HP +	RESISTIVE 10 AMPS 1.5 TO 3.0*
POLARIZED OR NON-MAGNETICALLY MOUNTED	VOLTS D-C 125 250	MOTOR 1/2 HP +	RESISTIVE 10 AMPS 1.5 TO 3.0*

* NOT SUITABLE FOR USE AT LESS THAN 1.5 AMPS
 + WILL NOT BREAK LOCKED ROTOR CURRENT

UL LISTED-FILE NO. 12252
 (NON-POLARIZED); 3A 250VAC-DC; 10A 125VAC-DC;
 CODE L210 1/4HP 125VAC-DC

SCALE FULL

DO NOT SCALE PRINT

UNLESS OTHERWISE SPECIFIED DIMENSIONS ARE IN INCHES
TOLERANCES ARE:
 ONE PLACE (.0) ±.030
 TWO PLACE (.00) ±.015
 THREE PLACE (.000) ±.005
 ANGLES ±

WEIGHT

FORMTEK

DRAWN